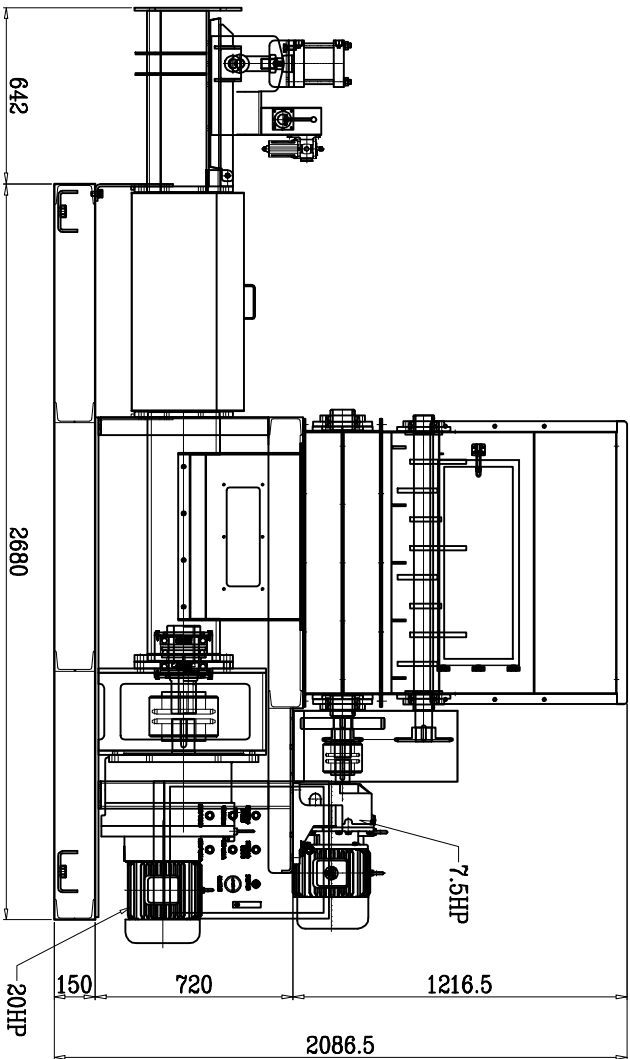
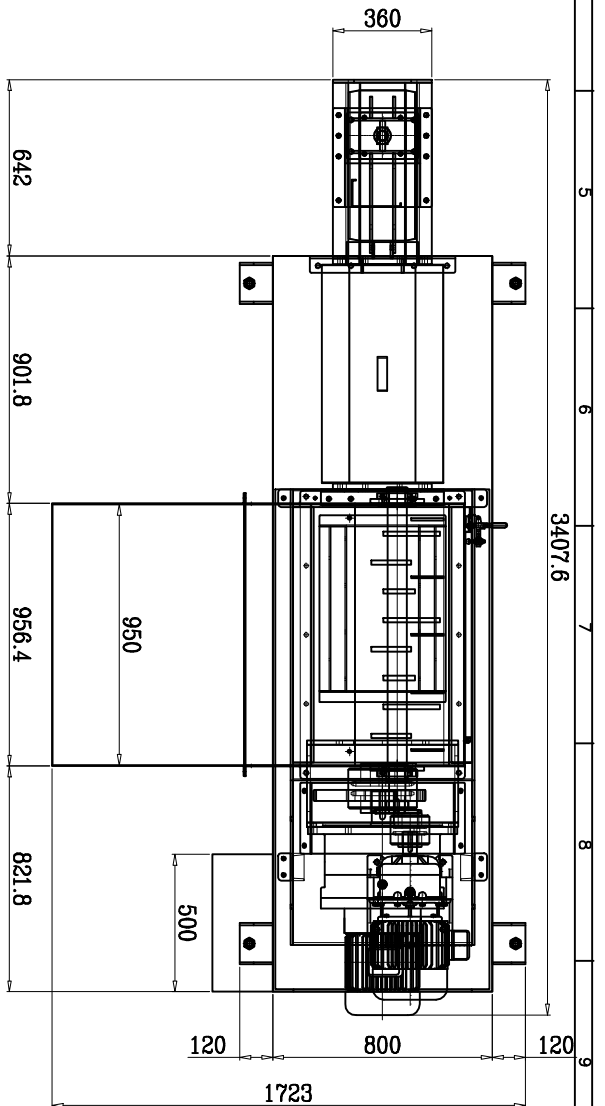
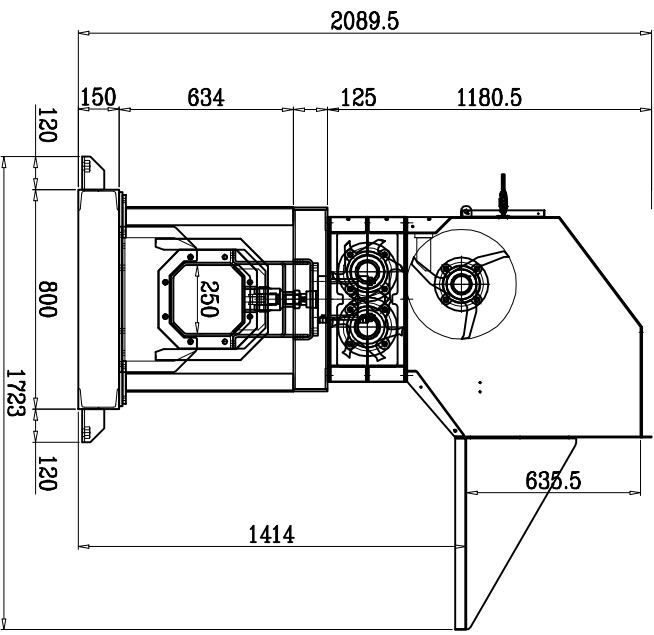


- NOTE)
1. CAPACITY : 50~80kg/hr
 2. MAIN MOTOR
 - POWER : 15Kw (480V*3P)
 - TYPE : 기어드모터
 2. CRUSHER MOTOR
 - POWER : 5.5Kw (480V*3P)
 - TYPE : 기어드모터
 3. SCREW
 - SIZE : $\phi 235 \times L1400$ (mm)
 - PITCH : 180mm
 4. BALE SIZE
 - 250W*250H*L



PROJ. NAME
D-C7465 (299 Department in South)

CLIENT
D-C7465-01

DWG BY
L.M.T

CHK BY
L.M.T

APP BY
L.M.T

DWG NO
D-C7465-01

SCALE
N.S

DATE
2009.09

DATE
2009.09

DATE
2009.09

RECYCLETECH
WWW.RECYCLETECH.COM

Recycle Tech
TEL: 1-201-476-6000 FAX: 1-201-476-6001